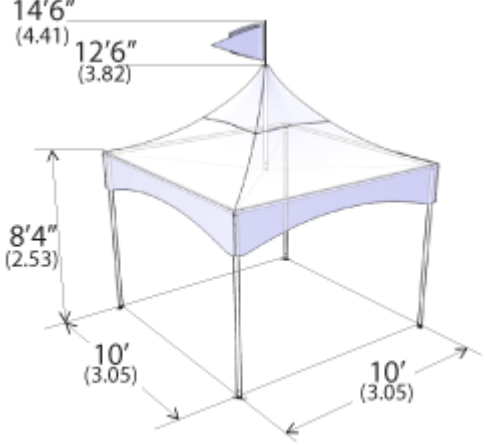
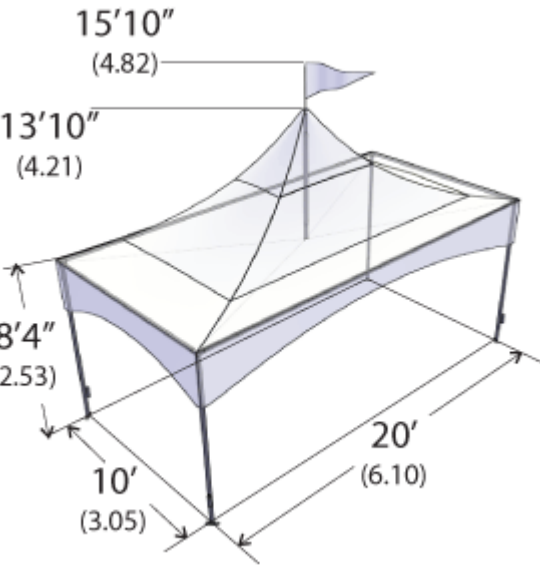
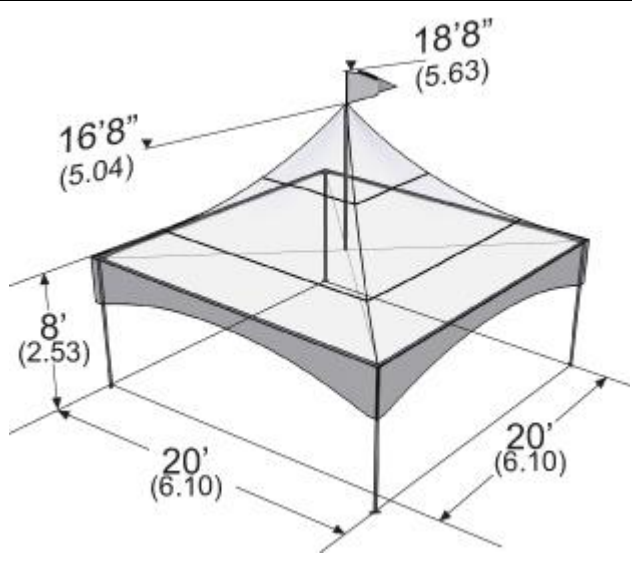


# PARK AVENUE PARTIES

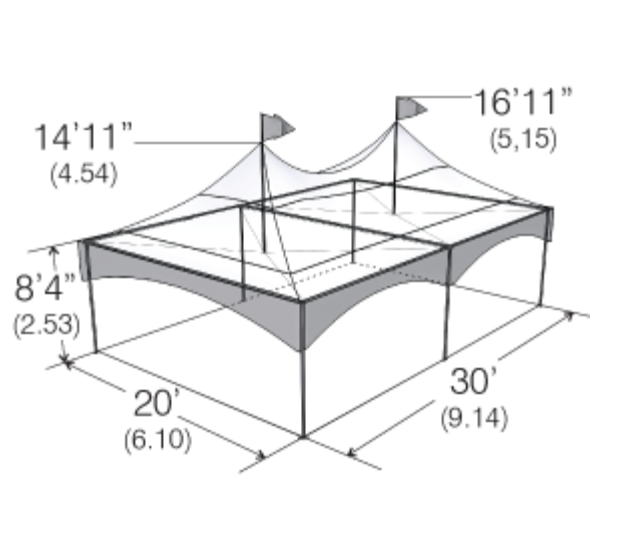
## -TENT SPECIFICATIONS-

<p><b>10 X 10</b></p> <p><b>TOTAL AREA: 100 sq. ft. / 9.3 sq. m</b></p>	 <p>14'6" (4.41) 12'6" (3.82) 8'4" (2.53) 10' (3.05) 10' (3.05)</p>
<p><b>10 X 20</b></p> <p><b>TOTAL AREA: 200 sq. ft. / 18.6 sq. m.</b></p>	 <p>15'10" (4.82) 13'10" (4.21) 8'4" (2.53) 10' (3.05) 20' (6.10)</p>

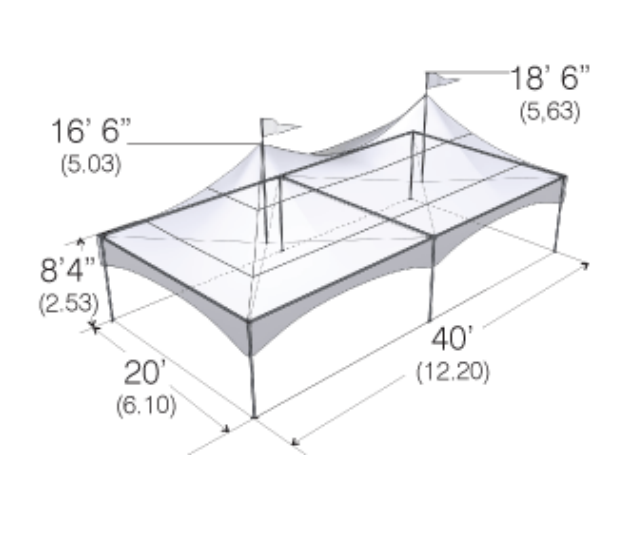
**20 X 20**  
**TOTAL AREA: 400 sq. ft. / 37.2 sq. m.**



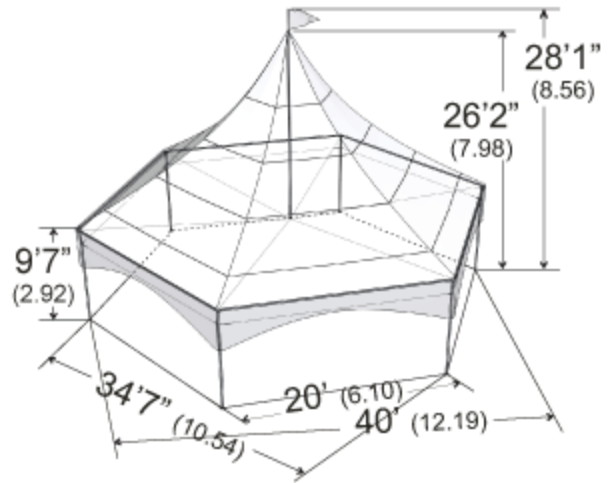
**20 X 30**  
**TOTAL AREA: 600 sq. ft. / 55.7 sq. m.**



**20 X 40**  
**TOTAL AREA: 800 sq. ft. / 74.3 sq. m**



**HEX**  
**TOTAL AREA: 1043 sq. ft. / 96.9 sq. m.**



**PEAK POLE TENT**  
**30 x 60**



**PEAK POLE TENT**  
**40 x 80 -> 120**

